

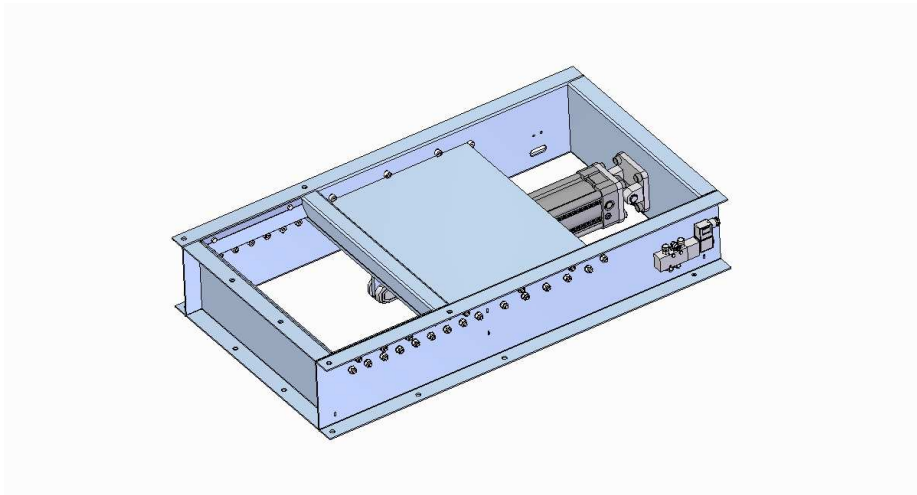
C & S International Kft

9700 Szombathely, Hattyú u. 6.

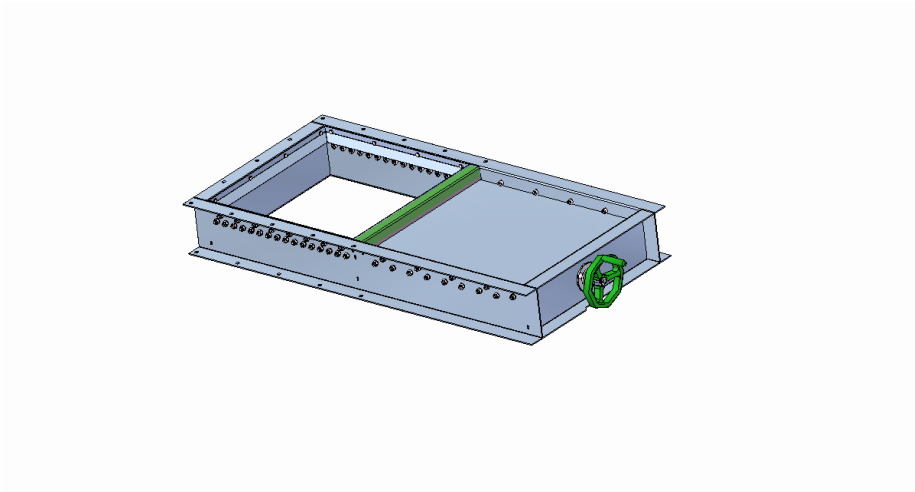
Gate valves:

Gate valves are destined to close, or regulate material flow. It is manufactured in manual and pneumatic versions. In case of pneumatic valves the motion of the gate between the positions (open/close) is provided by a pneumatic cylinder. In case of manual valves the motion of the gate between the two positions (open/close) is provided by a winding axis and a wheel. Position sensors report the open and close positions.

Pneumatic valve:



Manual valve:



Dimensions, technical data:

Outflows can have different dimensions (A; B), however, we can also manufacture it with individual dimensions.

