

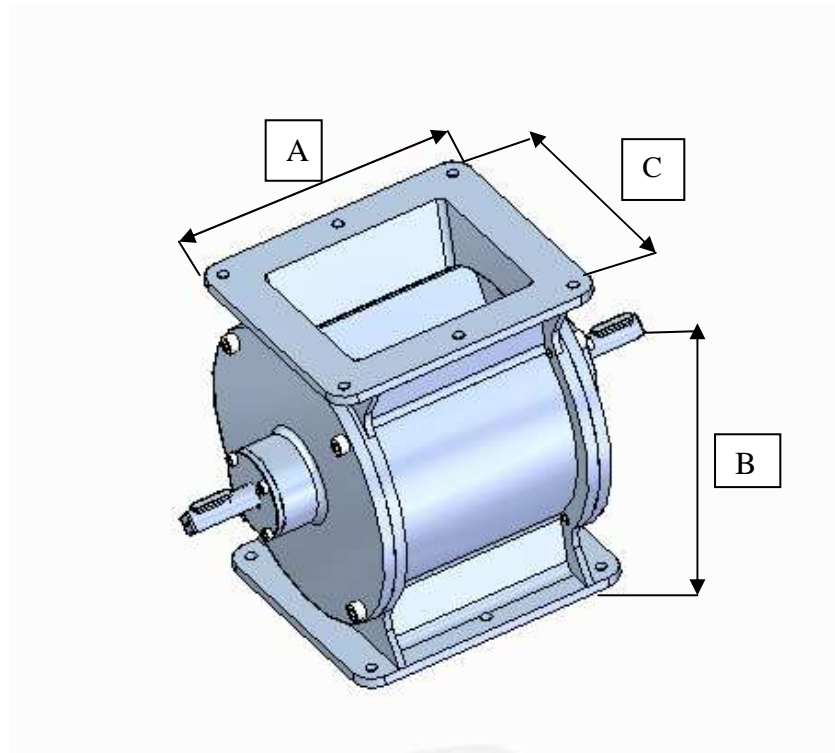
C & S International Kft

9700 Szombathely, Hattyú u. 6.

Rotary feeder:

It is used for feeding granular products, flour, powder and other porous materials. The casing can be manufactured of steel, or it can be cast. The rotating part is made of steel.

Cast casing:



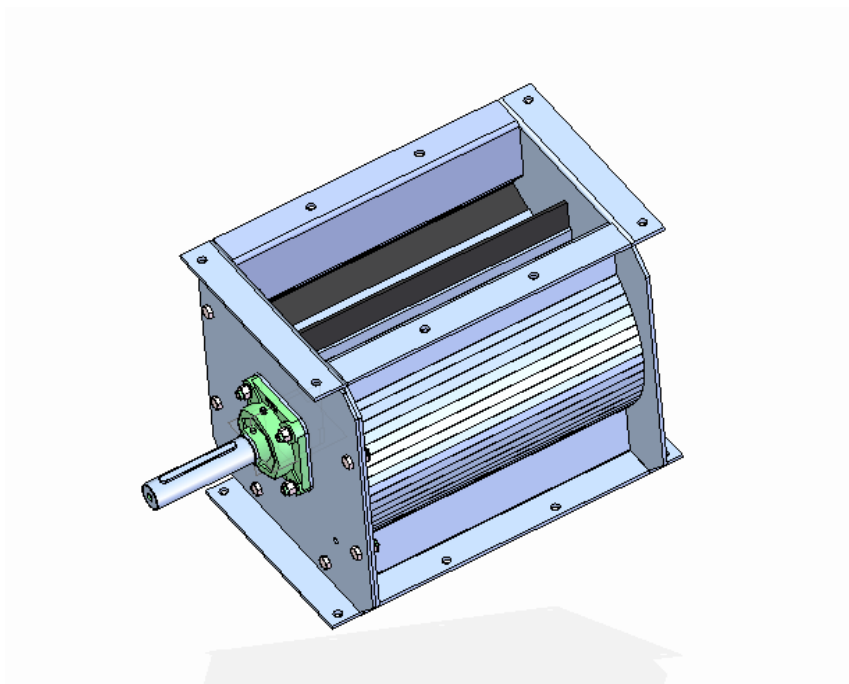
Dimensions, technical data:

Cast casing:

Type	characteristic dimensions (mm)				
	A	B	C	D	E
R-VS-22-19	270	235	320	270	235
R-VS-22-24	320	235	320	320	235

The data contained in this table are not binding.

Steel casing:



Steel casing:

Type	Characteristic dimensions (mm)				
	A	B	C	D	E
RS-270	346	330	270	346	330
RS-300	420	260	370	420	260
RS-350	580	332	530	580	352
RS-400	590	340	445	590	340
RS-700	710	682	864	710	682

The data contained in this table are not binding.

