

# C & S International Kft

9700 Szombathely, Hattyú u. 6.

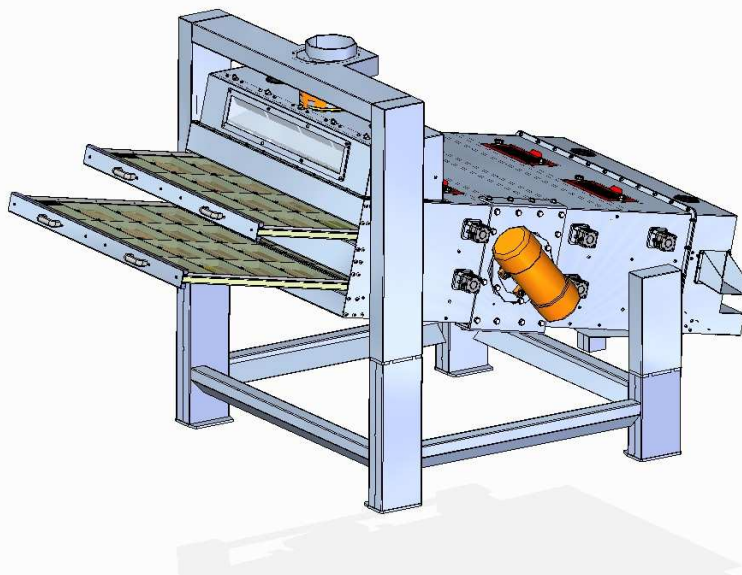
---

## ***Vibro-separator:***

A vibro-separator is a separator positioned onto a solid case and two vibro-motors move the screen box. It is destined for removing rough impurities and pre-cleaning in mills, wheat and forage facilities. Its upper and lower separators can remove larger impurities from the product separately. The vibro-separator is positioned onto vibration absorbing rubber pads. Its only moving part is the motor, therefore no special maintenance is necessary. The screen sheets are self-cleaning because of the balls that can be found inside them.

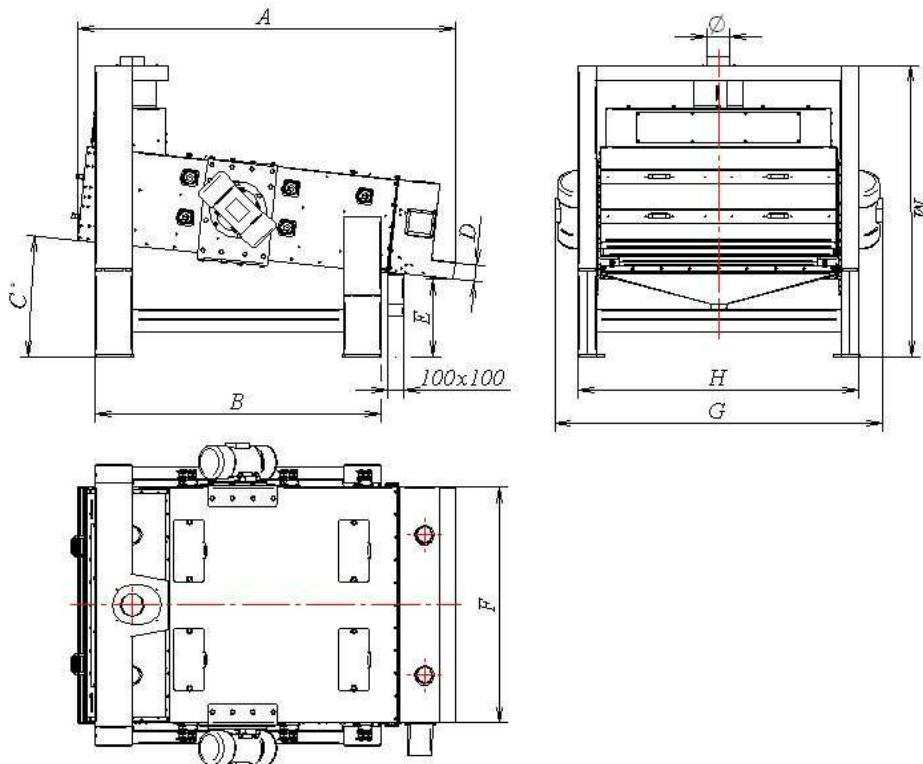
Several types with an inclination of 6 and 12° and different dimensions are produced, therefore several capacities can be achieved.

The attachment of an air separator enables the possibility of additional cleaning at the outflow, thus also granular impurities can be removed as well.

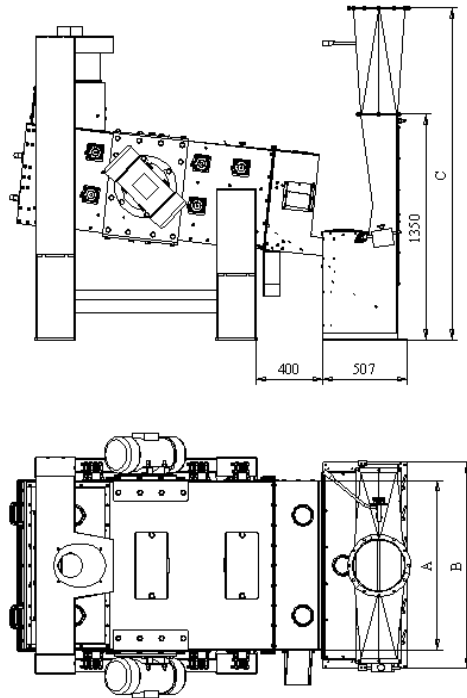


## Dimensions, technical data:

	Perfor- mance	Vibro- motor	Weight	C°	∅	A	B	D	E	F	G	H	M
Type	T/h	kW	kg	°	mm								
RVS 75/100	8	2x0,68	900	6	150	1700	1070	110	495	751	1330	1041	1790
RVS 75/100 Silo	30			12	250	1680	1020		492				1990
RVS 100/150	15	2x0,68	1050	6	150	1910	1320		495	1011	1581	1291	1815
RVS 100/150 Silo	50			12	250	1880	1270		492				2010
RVS 150/150	20	2x0,68	1300	6	150	1910	1320		495	1511	2087	1791	1815
RVS 150/150 Silo	75			12	250	1880	1270		492				2010
RVS 100/200	18	2x0,68	1150	6	150	2410	1820		495	1011	1581	1291	1867
RVS 100/200 Silo	70			12	250	2380	1770		492				2076
RVS 150/200	25	2x0,75	1450	6	150	2410	1820		495	1511	2087	1791	1867
RVS 150/200 Silo	100			12	250	2380	1770		492				2076
RVS 150/270	30	2x1,1	1950	6	250	3086	2010		495	1511	2087	1791	2328
RVS 150/270 Silo	150			12	250	3037	1976		492				2556



**Vibro-separator with air separator:**



Type	Air separator type	A (mm)	B (mm)	C (mm)
RVS 75/100	ASK 80	751	945	1890
RVS 75/100 Silo				
RVS 100/150	ASK 100	1011	1235	1990
RVS 100/150 Silo				
RVS 150/150	ASK 160	1511	1745	2185
RVS 150/150 Silo				
RVS 100/200	ASK 100	1011	1235	1990
RVS 100/200 Silo				
RVS 150/200	ASK 160	1511	1745	285
RVS 150/200 Silo				
RVS 150/270	ASK 160	1011	1745	2185
RVS 150/270 Silo				